



Seating Solutions

sit
well
sit
healthyL



SEATING OVERVIEW 2023

Task Training Cafe Tandem Gaming Auditorium Lounge Collaborative Tables



Seating Solutions



SEATING OVERVIEW 2023

Task Training Cafe Tandem Gaming Auditorium Lounge Collaborative Tables

WIPRO SEATING SOLUTIONS

humane by design

Our design philosophy believes in innovation that leads to improving the quality and providing cutting-edge sustainable seating solutions; keeping in mind the ergonomics, health, well-being and performance of the end user.

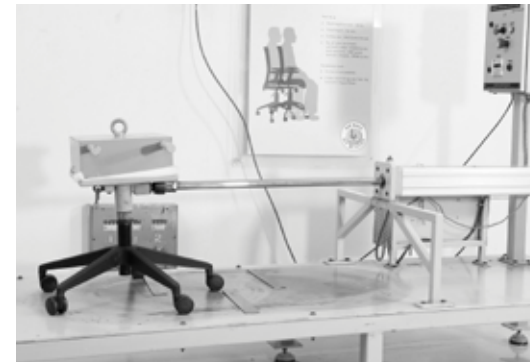
- A wide range of products for different applications
- Designer products from international designers
- Design and development of solutions and products coherent to customer needs
- Value-added inspiring solutions
- Trustworthiness and reliability of Wipro

18+
Years of
Operation

12+Lakh
Chairs

5,000+
Happy
Customers


Pan India
Presence



All Wipro chairs are certified as per **ANSI/BIFMA X5.1 performance tests**. These chairs also undergo rigorous testing and great care is taken in selection of raw materials especially for parts that come in contact with the human body.

Our seating manufacturing factory is enabled with best of the equipment and quality testing facilities.

Certifications

- ISO 9001:2015 for quality management system
- ISO 14001:2015 for environmental management system

TASK SEATING

Professionals spend more than **80% of their time sitting at their desk**. Due to the work pressure, they unknowingly slip into a temporarily comfortable, yet **unhealthy posture leading to health problems** related to neck, spine and back.

Task Seating by Wipro Seating Solutions offers **ergonomically designed chairs** that you to sit healthy.

Adapt Air

Adapt Air is a unique chair that gives you a superlative experience of comfort that keeps your **body cool and stress free** through the day. Adapt Air's aeroflow seat design provides ventilation and dissipates heat in a natural way.



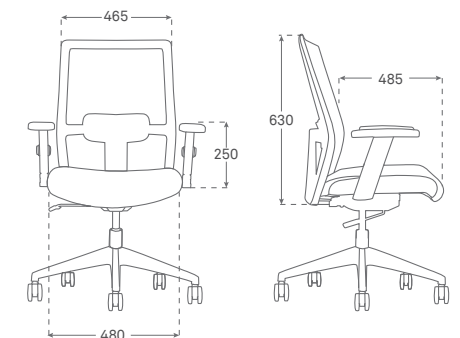
Features

- Automatic weight sensing mechanism.
- Highly Durable Nylon frame
- Comes with medium back and visitor options
- Option of fixed / adjustable armrest
- Choice of Aluminium or Nylon base
- Three position locking for maximum comfort

Configuration options

Back	High Back, Mid Back, Visitor
Armrests	1D, 2D, Fixed
Base	Nylon, Aluminium
Castors	Nylon, PU
Mechanism	Synchro-1, AWSM with seat slide
Upholstery	Fabric

Awards & Certifications



Adapt Flexible like you

Adapt is a premium **mesh-back chair with innovative technology** and contemporary looks. An automatic tension adjustment control adapts according to the user's weight ensuring the body is perfectly balanced and supported. Adapt stays flexible and keeps your back stress-free.



Features

Automatic Weight Sensing Mechanism (AWSM)

Height adjustable lumbar support

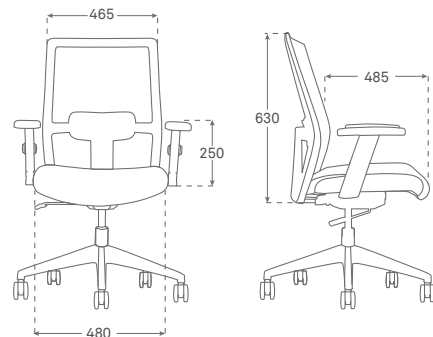
Adjustable armrest with soft PU padding

Wide frame with soft mesh

Configuration options

Back	High Back, Mid Back, Visitor
Armrests	1D, 2D, Fixed
Base	Nylon, Aluminium
Castors	Nylon, PU
Mechanism	Synchro-1, AWSM with seat slide
Upholstery	Fabric

Awards & Certifications



Alivio Style that comes alive

Alivio, a premium mesh-back chair, is **visually delightful with contoured back and sculpted headrest** that defines a unique and distinctive style. The S-contoured chair back and lumbar support are carefully profiled to keep the back well supported at all times.



Features

Adjustable foam lumbar support

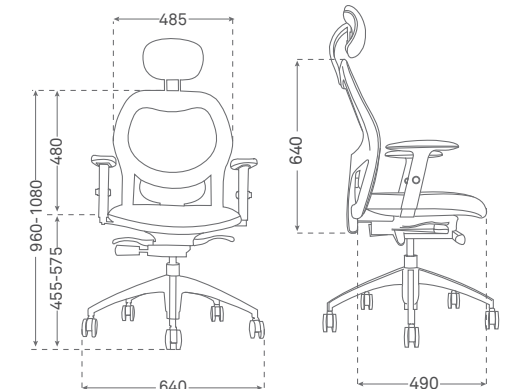
Clean look with a contoured backrest

Unique mesh gives your back extra comfort

Configuration options

Back	High Back, Mid Back, Visitor
Armrests	1D, 2D, Fixed
Base	Nylon, Aluminium
Castors	Nylon, PU
Mechanism	Synchro-1, Synchro-3
Upholstery	Fabric, Leatherette

Awards & Certifications



Beetle Defining freedom

Beetle perfectly complements modern offices which reflects high-performance workspace. Its **superior quality and superlative comfort** impeccably mirror the soul of the Beetle.

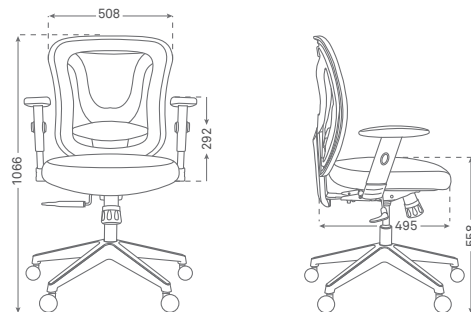


Features

- Synchro Tilt locking
- Adjustable armrest with soft PU padding
- Compact chair sturdy frame
- Lumbar support

Configuration options

Back	Mid Back
Armrests	1D, Fixed
Base	Nylon, Aluminium
Castors	Nylon, PU
Mechanism	Synchro-1
Upholstery	Fabric



Entity Embrace your uniqueness

Entity is a **refined chair for modern workspaces** with simple features. It's sleek edges enhance the visual appeal and make it stand out in any environment.

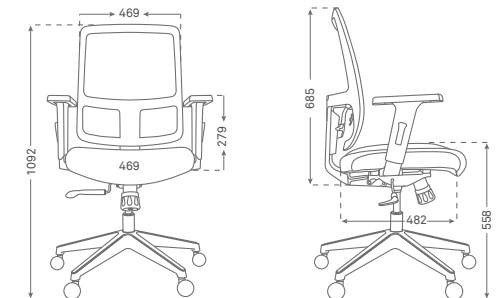


Features

- Soft breathable mesh
- Adjustable Tilt locking
- Adjustable Seat height
- Adjustable knob for back-tilt tension adjustment

Configuration options

Back	Mid Back
Armrests	1D, Fixed
Base	Nylon, Aluminium
Castors	Nylon, PU
Mechanism	Synchro-1
Upholstery	Fabric



Sirius The star of your space

SIRIUS is a refined chair for modern workspaces with improved and smart features. The innovation is brought through understanding the needs and challenging ourselves to bring a fresh look to the workspace which is never seen before.

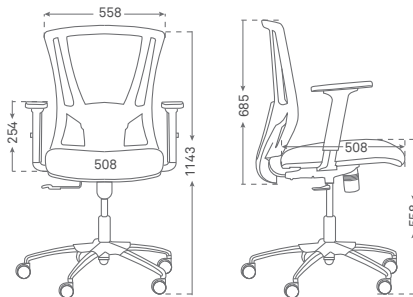


Features

- High Resilience PU Foam seat
- Wide back-frame
- Ergonomic backrest
- Synchro-tilt with 3-point locking
- Adjustable armrest with soft PU padding

Configuration options

Back	Mid Back
Armrests	1D, Fixed
Base	Chrome
Castors	Nylon, PU
Mechanism	Synchro - 1, Synchro - 3
Upholstery	Fabric



That's it The last word in comfort

A chair that offers you **generous space, good support** for your back and keeps your body stress-free, you know That's It! you've found the right chair!



Features

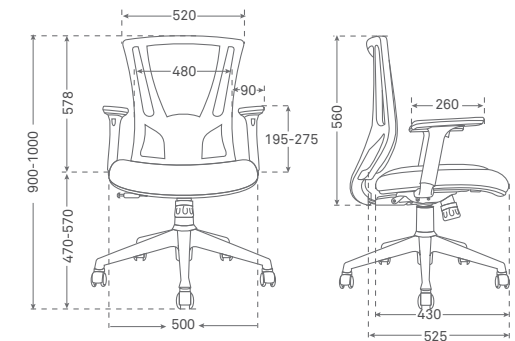
- High Resilience PU Foam seat
- Wide back-frame
- Ergonomic backrest
- Synchro-tilt with 3-point locking
- Adjustable armrest with soft PU padding

Configuration options

Back	Mid Back, Visitor
Armrests	1D, Fixed
Base	Nylon, Aluminium
Castors	Nylon, PU
Mechanism	Synchro-1, Synchro-3
Upholstery	Fabric

Awards & Certifications

BIFMA
BIFMA Certification
Passes BIFMA X-5.1 Standards



Zapper An element of sophistication

Zapper is a **comfortable, affordable and reliable task chair** designed to handle long hours of serious sitting. It is a modernistic chair design that adds an element of sophistication to new-age workspace and enhances well-being of the urban culture.

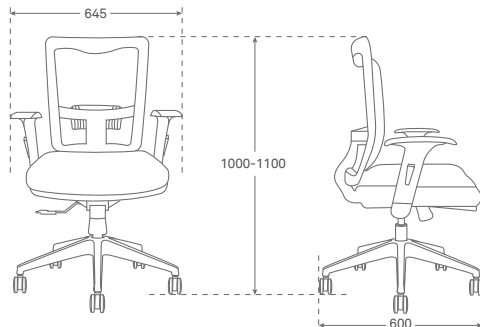


Features

- Adjustable tilt locking
- Adjustable seat height
- Adjustable armrest with soft PU padding
- Ergonomic backrest

Configuration options

Back	Mid Back, Visitor
Armrests	1D, Fixed
Base	Nylon
Castors	Nylon
Mechanism	Synchro-1
Upholstery	Fabric



Pulse

More than just a chair, Pulse provides you with high-end features without the high-end price. Pulse is a value-for-money chair that will give you more than you expect.

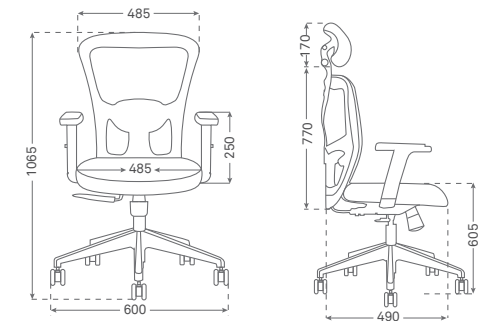


Features

- High Resilience PU Foam seat
- Adjustable tilt locking
- Four way adjustable lumbar support
- Option of soft PU arm pad available

Configuration options

Backrest	High Back, Mid back and visitor
Armrests	1D, T Fixed
Base	Nylon
Castors	Nylon
Mechanism	Synchro-1
Upholstery	Fabric



Candid Gives you more

Candid is a versatile seating solution that gives you more than you expect. It is a **value-for-money chair** that will give you high-end features at an affordable price.



Features

High resilience PU foam seat

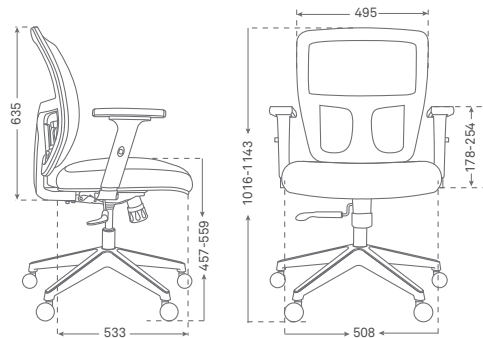
Adjustable tilt locking

Vertically adjustable lumbar support

Option of 2D adjustable armrest (front and back)

Configuration options

Back	Mid Back
Armrests	2D, 1D, Fixed
Base	Nylon, Aluminium
Castors	Nylon, PU
Mechanism	Synchro-1
Upholstery	Fabric



Breathe

Breathe is a **comfortable, affordable and reliable task chair** designed to handle long hours of serious sitting. It is a modernistic chair design that adds an element of sophistication to new-age workspace and enhances well-being of the urban culture.



Features

High Resilience PU Foam seat

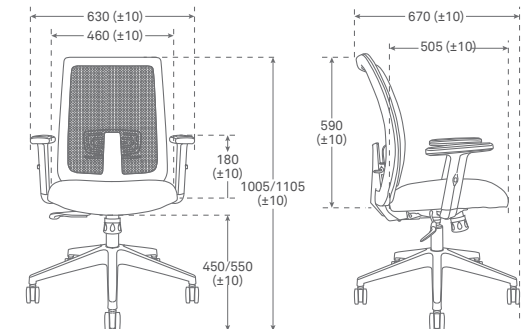
Adjustable tilt locking

Adjustable seat height

Option of soft PU arm pad available

Configuration options

Back	Mid Back, Visitor
Armrests	1D, Fixed
Base	Nylon
Castors	Nylon
Mechanism	Synchro-1
Upholstery	Fabric



Debut

The perfect chair to fit your lifestyle and office space, the Debut Chair strikes the perfect balance between **comfort and economy**. With a fully adjustable seat and back, you can find the right support as you sit at your desk or work through the day. The centre tilt mechanism lets you rest comfortably while working. Its soft sponge padded seat and breathable mesh lets air through, so you keep cool even when the workload rises.

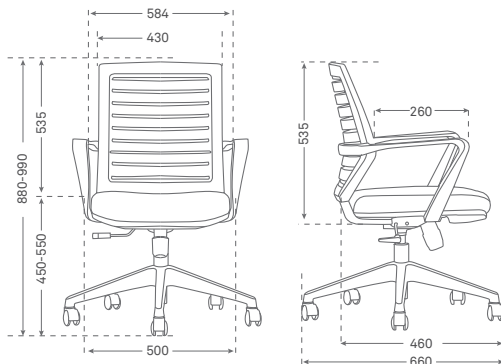


Features

- High Resilience PU Foam seat
- Adjustable tilt locking
- Adjustable seat height
- Extended wide armrest

Configuration options

Back	Mid back
Armrests	Fixed
Base	Nylon
Castors	Nylon
Mechanism	Centre-Tilt
Upholstery	Fabric



Define

Designed for luxurious seating

Define is made from selected leather and fabric that perfectly suits body temperature. Its premium finish makes define **a perfect chair for use by top management** and in boardrooms.



Features

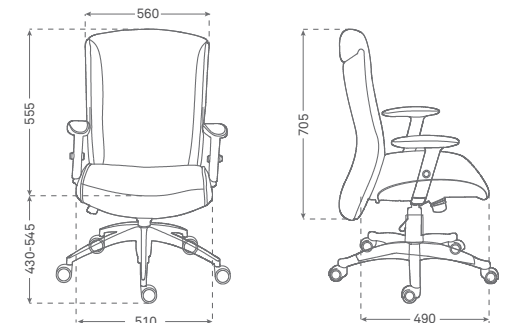
- Luxurious executive seating
- High quality leather/ leatherette finish
- Synchro tilt with 3-point locking
- Ergonomic backrest

Configuration options

Back	High Back, Mid Back, Visitor
Armrests	1D, 2D, Fixed
Base	Nylon, Aluminium
Castors	Nylon, PU
Mechanism	Synchro-1, Synchro-3
Upholstery	Leather, Leatherette, Fabric

Certifications

BIFMA
BIFMA Certification
Passes BIFMA X-5.1 Standards



Aerosit Air

Aerosit air offers a new take on office seating. The **Aeroflo™** seat design creates improved airflow and dissipates heat in a natural way, giving your body relief even during a busy day.



Features

Designed by international designer Eric Chan

Patented Aeroflo™ technology

Adjustable knob for back-tilt tension adjustment

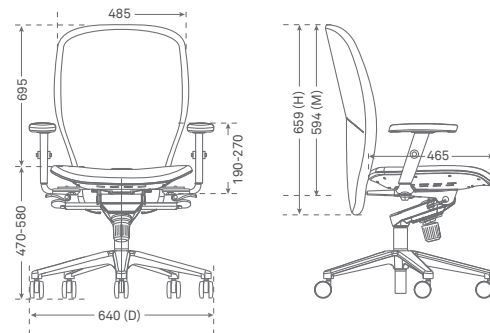
Option of Polypropylene/ foam seat available

Configuration options

Back	High Back
Armrests	2D, 1D
Base	Nylon, Aluminium
Castors	Nylon, PU
Mechanism	Synchro-1
Seat options	Foam, PP

Awards & Certifications

BIFMA
BIFMA Certification
Passes BIFMA X-5.1 Standards



Aerosit As natural as you

Aerosit is a family of chairs that brings completely new dynamics to contemporary office seating.



Features

Designed by international designer Eric Chan

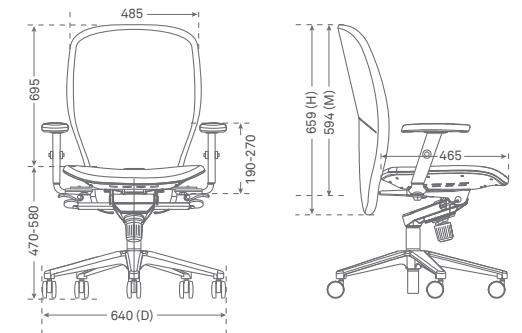
Adjustable knob for back-tilt tension adjustment

Configuration options

Back	High Back
Armrests	2D, 1D
Base	Nylon, Aluminium
Castors	Nylon, PU
Mechanism	Synchro-1
Seat options	Foam, PP

Awards & Certifications

BIFMA
BIFMA Certification
Passes BIFMA X-5.1 Standards



Smart A unique combination of design and ergonomics

Smart is **ergonomically designed with Indian Anthropometric dimensions** in mind. Its light-weight frame gives it a unique multi-functionality in offices, cabins and meeting rooms.



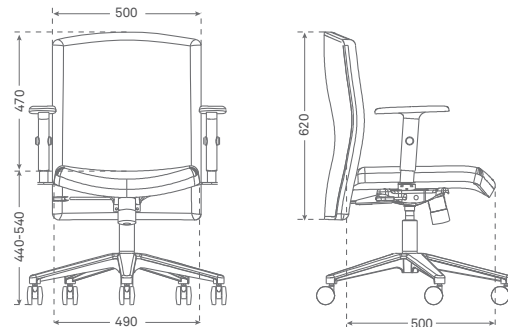
Features

- Adjustable tilt locking
- Light-weight foam back chair
- Adjustable armrest with soft PU padding
- Available with leatherette option

Configuration options

Back	High Back, Mid Back, Visitor
Armrests	1D, 2D, Fixed
Base	Nylon, Aluminium
Castors	Nylon, PU
Mechanism	Synchro-1, Synchro-3
Upholstery	Fabric, Leatherette

Awards & Certifications



Energy

Energy is a chair perfectly designed for multi-postures and long working durations. Providing the right support especially to the lower back, the ergonomic backrest supports the muscles surrounding the spine and maintains the natural curvature of the spine.

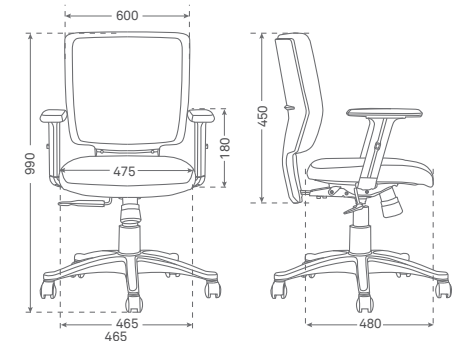


Features

- Adjustable tilt locking
- Adjustable seat height
- Light weight foam back chair
- Adjustable armrests with option of fixed

Configuration options

Back	Mid back, Visitor
Armrests	Fixed, 1D
Base	Nylon
Castors	Nylon
Mechanism	Synchro 1
Upholstery	fabric



MULTI-PURPOSE SEATING

In case of a **training cum guest seating space**, it is essential that we can seat different types of people in a simulating and pleasant environment. Wipro's multi-purpose seating range is designed for a wide variety of applications and intuitive accessories that help you focus and relax.

Similarly, for **breakout zones**, we have colourful chairs that complement the décor of the space, while being **light-weight yet strong**.



Transit Wherever you are

Transit reflects a slender elegance that belies its stability and strength. Every material used in Transit has been carefully selected to reflect the soul of transit's design – simplicity, comfort and friendliness.



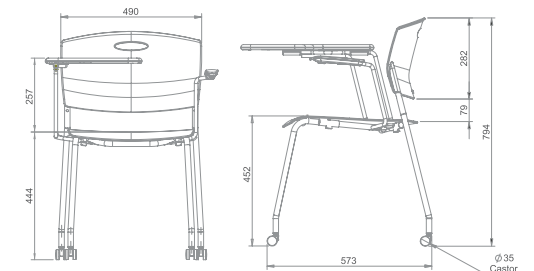
Features

- Stackable space saving design
- Anti-skid nylon pads to prevent scratches on surfaces
- Option of durable roll-on caster

Configuration options

Under structure	Castors, Glides
Armrests	Fixed, No armrests
Base	Powder Coated
Add-ons	Option of tablet available

Selection of Colours



Annex

The all new Annexe by Wipro encourages collaboration with a responsive, open design that supports you in diverse multipurpose seating for a diversity of people in shared, team and large group environments.



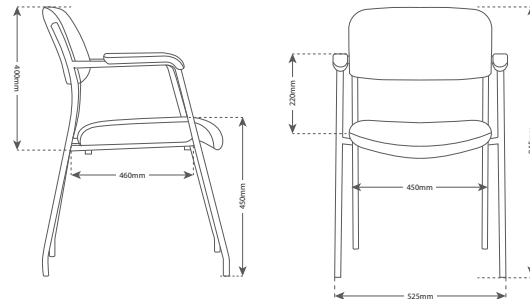
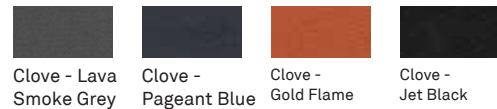
Features

- Stackable and Robust
- Strong bracket for writing tablet (Tested for 40kgs)
- Seat with waterfall edge for maximum comfort

Configuration options

Under structure	Castors, Glides
Armrests	Fixed
Base	Powder Coated
Add-ons	Option of tablet available

Selection of Colours



Carbon

Carbon chairs are a perfect blend of elegance and design in your office or your home which makes your entire space looks light and open.



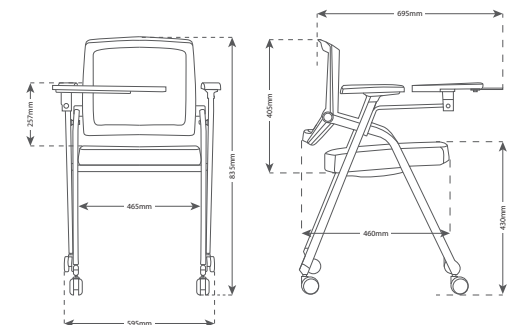
Features

- Collapsible and Nestable
- Flexi back for high degree of comfort
- Retractable armrest

Configuration options

Under structure	Castors, Glides
Armrest	Fixed
Base	Powder Coated
Add-ons	Option of tablet with cupholder available

Selection of Colours



Salsa Delightful form, design and comfort

Salsa is a true multi-purpose chair built with a simple form and contemporary design. It's a perfect combination of durability and personal comfort.



Features

- Stackable space saving design
- Flexible & durable
- Option of foam upholstery available for seat & back

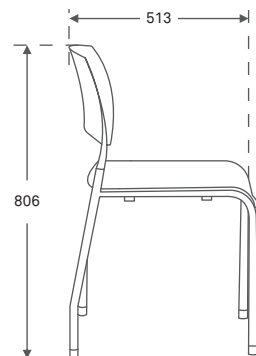
Configuration options

Understructure	Castors, Glides
Armrest	Fixed, No armrests
Base	Powder coated
Add-ons	Option of tablet available

Selection of finishes

Upholstery options Plastic cover options

PL 137 Black	PL 150 Planet	Warm Grey	Red	Blue



Munch A perfect brew of zest and style

Munch carries a cool designer look which is highlighted by its 'munched' back that is a good looking convenience to hang your bag.



Features

- Designed to hold straps & hand bags
- Well designed bushes to help correct stackability and damping to shocks
- I-Design 2012 Award-winning chair

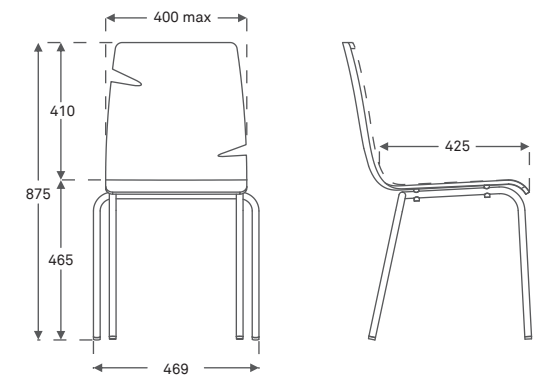
Configuration options

Understructure	Powder coated
Upholstery	Bent ply mould double side re-engineered veneer

Selection of colours

Cherry Red	Lemon Yellow	Citrus Green	Blueberry Blue

Award



Toffee Colourful designer café range

Toffee is a sturdy café cum multi-purpose chair with a **unique lattice back** and colours that add a light and happy look.



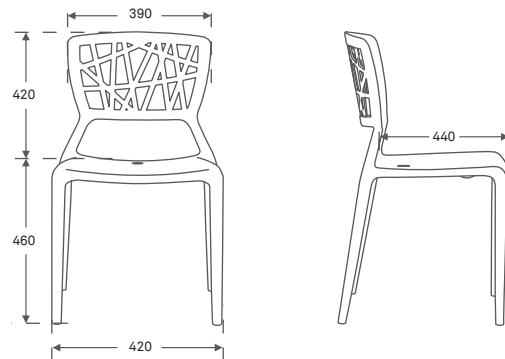
Features

- Single mould construction
- Tough, high performance plastic
- Bright trendy colours

Configuration options

Understructure	Single-mould construction High performance plastic
----------------	---

Selection of colours



Pepper Meet. Chat. Whatever.

Pepper can **live up any space with its vibrant colours**. It is ideal for restaurants, office cafeterias, homes and other informal seating spaces.



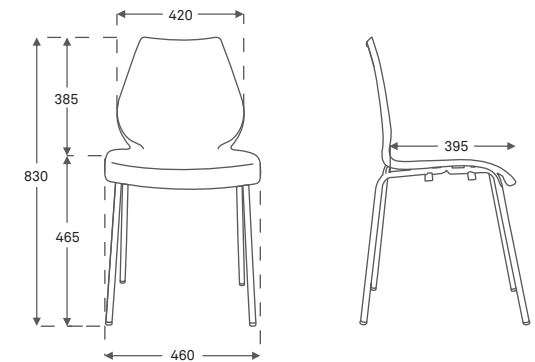
Features

- Single moulded structure
- Light-weight & stackable
- Cleft for easy handling

Configuration options

Understructure	Powder coated
Upholstery	Virgin mould plastic

Selection of colours



AUDITORIUM SEATING

Designing seating for large corporate auditoriums has its unique challenges. Wipro Seating Solutions has designed the **'Box Office'** Auditorium seating range by understanding the needs of the audience, so that there's room for every elbow.

Cushioned for comfort and shaped for luxury, this one-of-a-kind range is bound to alleviate your seating experience.

Symphony Superlative comfort

Symphony keeps you relaxed in its generously sized seats. Symphony offers a variety of options that enhance user comfort and is the perfect seating to add that **extra-special touch to your auditorium.**



With Tablet

Features

Specially designed large plush seats for relaxed seating

Fluimatic™ slider mechanism for superlative comfort

4-bolt flange for extra stability

Polypropylene back and seat pan for easy maintenance



Wooden



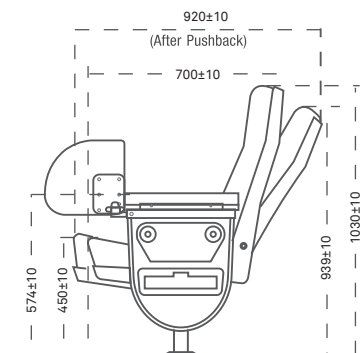
Cup-holder



Waterfall

Configuration options

Armrests	PU Waterfall, PP Cup Holder, Wooden, Tablet
Backrest	Push-back



Ballet Experience delightful luxury

Ballet is a **combination of comfort and sleek looks** with a compact footprint. Sink your body into sheer nothingness and soak yourself in the captivating atmosphere that only Ballet can offer.



Features

Flumatic™ slider mechanism for superlative comfort available

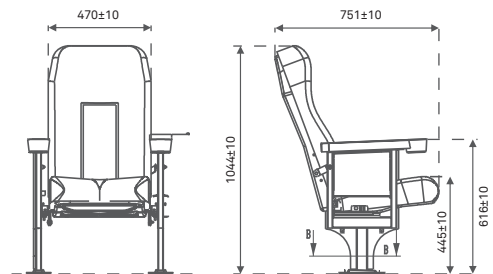
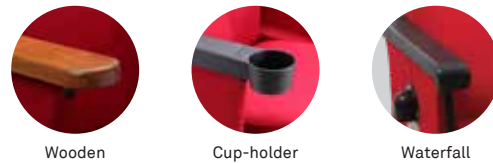
Compact seating with Waterfall Edge Design

Polypropylene back and seat pan for easy maintenance

Option of fixed back & push-back backrest

Configuration options

Armrests	PU Waterfall, PP Cup Holder, Wooden
Backrest	Push-back, Fixed



Concert Made for compact spaces

Concert is an **optimally designed chair** specially for use in seminar halls, community halls, and small auditoriums.

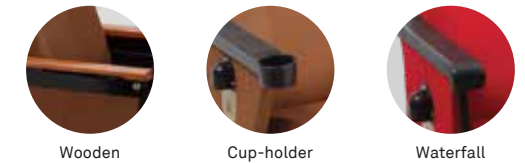


Features

Premium fixed back chair

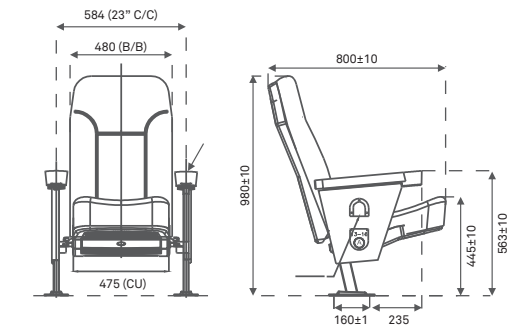
Sleek and profiled 'V' wings on aisle side

Polypropylene back and seat pan for easy maintenance



Configuration options

Armrests	PU Waterfall, PP Cup Holder, Wooden
Backrest	Fixed



TANDEM SEATING

Tandem seating is a concept that is used in various public spaces around the world. It is a great way to save space and is perfect for environments with recurrent footfall.

Metalica Platino

A plush and premium seating range for efficient management of busy spaces



Configurations



Colour options

Metal powder coating ■
Seat & backrest ■ ■

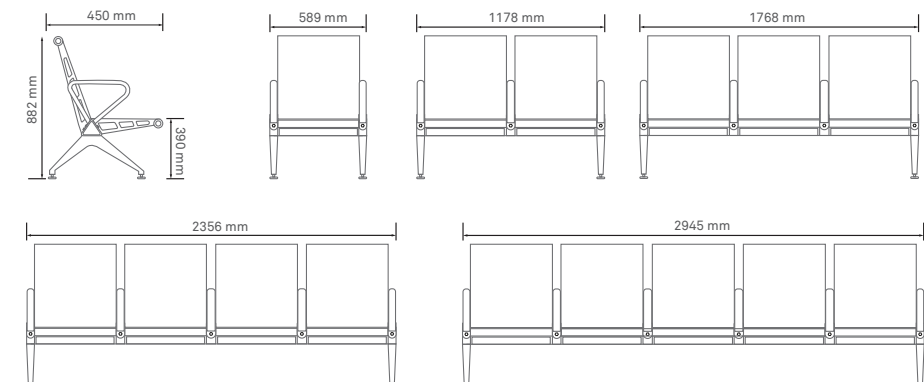
Variants

With end arm only
With intermediate arms

Accessories

Table top
Charging point

Dimensions



Metalica Premio

Minimal yet premium seating for modern, active environments



Configurations



Colour options

- Metal powder coating ■
- Seat & backrest ■

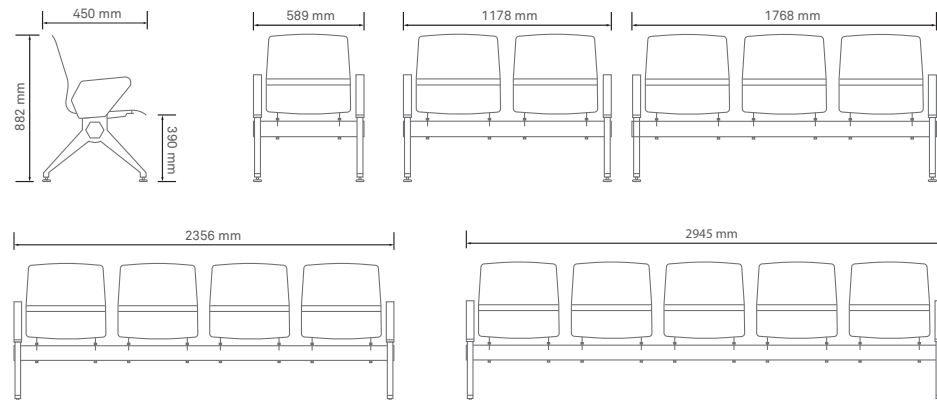
Variants

- With end arm only
- With intermediate arms

Embossing pattern

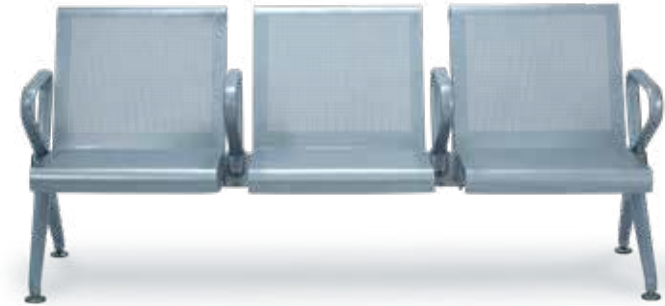
Seater Linea

Dimensions



Metalica Classico

Classic, contemporary style seating for agile & functional spaces



Configurations



Colour options

- Metal powder coating ■
- With cushion ■ ■ ■
- Self skin PU ■ ■

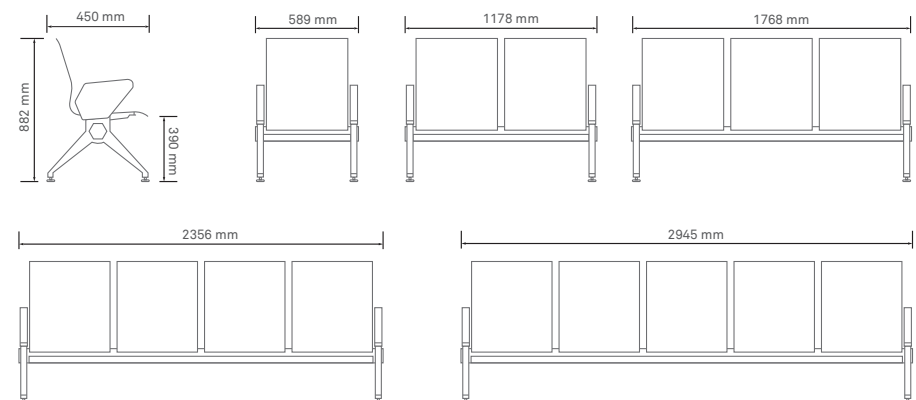
Variants

- With end arm only
- With intermediate arms
- Upholstery - cushion/without cushion/ PU

Structure options

- With powder coating
- With stainless steel

Dimensions



Flexico Moderno

Sleek and stylish seating to maximise comfort & convenience



Configurations



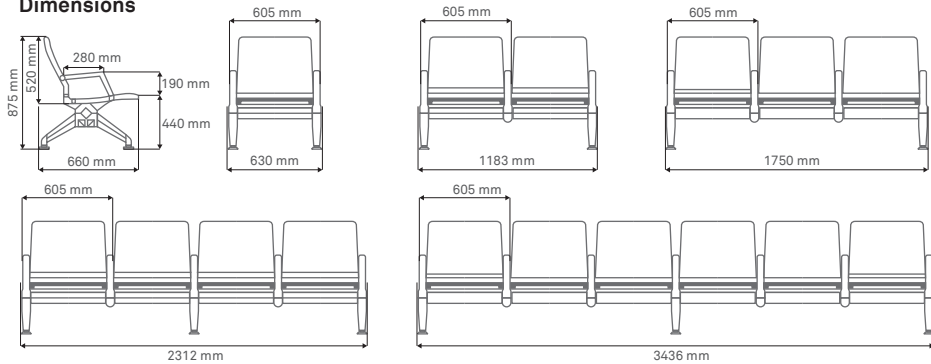
Colour options

Seat & backrest ■ ■

Variants

With intermediate arms

Dimensions



Flexico Comforto

Flexible seating designed for optimum support & utility



Configurations



Colour options

Metal powder coating ■
 With cushion ■ ■ ■
 Self skin PU ■ ■

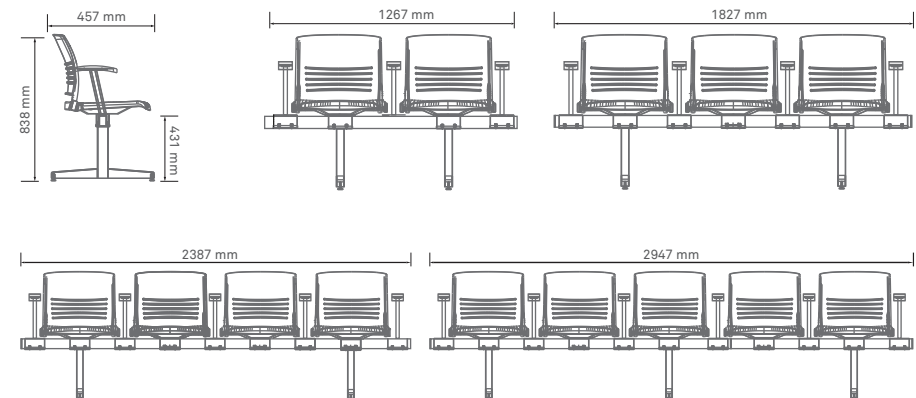
Variants

With end arm only
 With intermediate arms
 Upholstery - cushion/
 without cushion/ PU

Structure options

With powder coating
 With stainless steel

Dimensions



LOUNGE SEATING

Wipro Seating Solutions presents '**Cloud-9**' - Lounge seating designed exclusively for spaces where seating is expected to be an expression of the **sophistication in simplicity**.

This designer range can be used in reception lounges, guest seating, office lounges, and public spaces like hotel & airport lobbies.



LOUNGE SEATING

Alysia Ultimate relaxing experience

Transform the hotel lobbies, reception area and other hang-out places with this **absolutely breathtaking range of lounge seating**. Alysia is immaculately crafted to offer you comfort as well as firm support.



Features

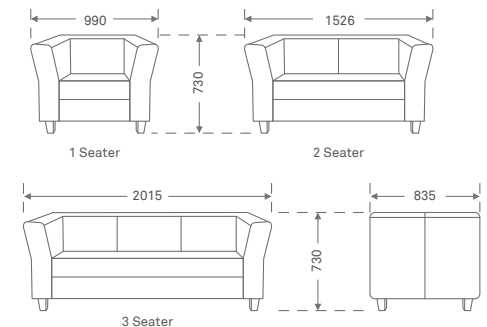
- Superior leatherette quality
- Special webbing with diagonal weave for even weight & stress distribution
- Multi-layered foam for firm support
- Wrinkle-free and soft upholstery

Configuration options

Seating	3 / 2 / 1 Seater
Upholstery	Leatherette

Selection of colours

-  Black
-  Beige
-  Burgundy



Vogue Flaunt European aesthetics

Vogue is designed with a muted colour palette and deeply lined seats. With its **signature 'V' shaped stainless steel legs**, Vogue brings a subtle sophistication inspired by the west.



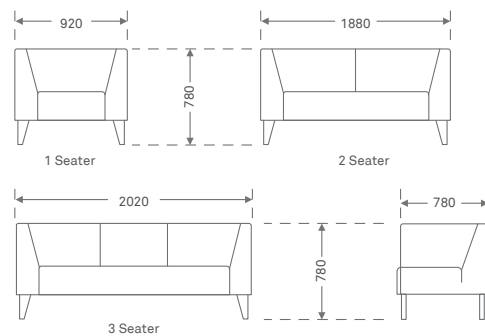
Features

- Stainless steel legs
- Western style décor inspiration
- Subtle matte colour finish

Configuration options

Seating	3 / 2 / 1 Seater
Upholstery	Leatherette

Selection of colours



Delphi A masterpiece of your space

Simple, sleek and stylish are the three words that are synonymous with Cloud 9 sofa range. Clean lines, disciplined cushion geometry and single colour upholstery makes these especially suitable for any office environment.



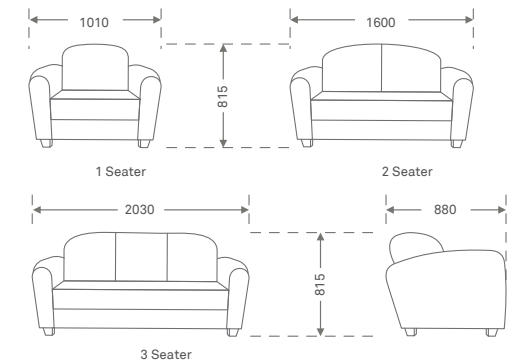
Features

- Inner solid frame structure
- Nylon bonded thread for lasting stitch strength
- Strong & durable

Configuration options

Seating	3 / 2 / 1 Seater
Upholstery	Leatherette

Selection of colours



Bliss

Settle comfortably and rejuvenate

Bliss lets you settle comfortably with its **plush, rounded and cozy demeanor**. It helps you rejuvenate at every break.



Features

Coveted round armrests

Frame structure made of high quality solid wood

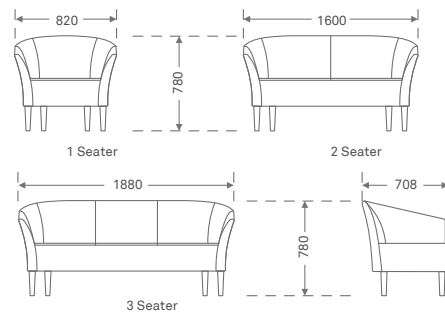
Space saving design

Subtle charm

Configuration options

Seating	3 / 2 / 1 Seater
Upholstery	Leatherette

Selection of colours



Cuby

Bring out the best and complete package

Compact yet comfy, Cuby has been designed with shelter-style support that envelops you with **ease and coziness**. Ideal for office receptions or restaurant lounge areas, the space can be easily transitioned from singular seating to multiple seating space.



Features

Sleek, Cozy & Comfortable

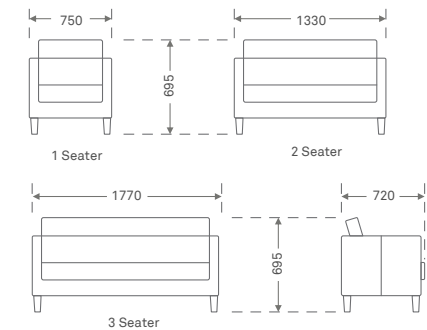
Compact modular lounge seating

Silicon treatment of polyester filling ensures volume of foam remains consistent

Configuration options

Seating	3 / 2 / 1 Seater
Upholstery	Leatherette

Selection of colours



Fabric options

B.E.S.T. 2.0 Fabrics



Deep Black



Insignia Blue



Clove Gray



Flame Gold

B.E.S.T. 2.0 Mesh



Deep Black



Insignia Blue



Clove Gray



Flame Gold

B.E.S.T. 2.0 Fabric/Mesh specifications

Composition	100% Polyester
GSM	249/212
Abrasion Resistance	50000/60000 cycles
Flammability	ASTM D1230
Dry Rubbing	Grade 4-5 (IS 766:1988-RA: 2009)
Wet Rubbing	Grade 4-5 (IS 766:1988-RA: 2009)
Colour Fastness to light	Grade 4-5 (IS 2454:1988-RA: 2010)

Plano Fabrics



Apollo



Black



Planet



Cinnamon



Electric



Dago Orange

Plano Fabric specifications

Composition	100% Polyester
Bursting Strength	
Abrasion	50000 cycles
Tear Strength	
Flammability	BS EN 1021-1:1994 (Cigarette), BS EN (Low Hazard)
Fire Proofing	BS EN 1021-1:1994 (Cigarette)
Sweat Rubbing	4
Dry Rubbing	Grade 5 (ATTCC8:2001), (GB/T3920-1997)
Wet Rubbing	Grade 4-5 (ATTCC8:2001), (GB/T3920-1997)
Thickness	295 GSM
Colour Fastness to Light	5+ {BS 1006 (1990)}

Leather/ Leatherette options



Black



Burgundy



Beige

Fabric options for 'Box-Office' Auditorium Seating

Viola Fabrics



Wood Brown



Carbon Blue



Desert Brown



Dark Crimson Red

Plano Fabrics



Ruby Red



Royal Blue



Aqua Blue



Dark Red

Cello Fabrics



Midnight Blue



Fire Brick



Red



Charcoal Black

Fabric specifications

Quality	100% Polyester Textured Dyed Yarn
Weight	275 GPM
Thickness	1.5 MM
Width	5.9 / 60 Inches
Abrasion	Above 15000 cycles
Light Fastness	4-5
Wet Rubbing	4-5
Dry Rubbing	4-5
Sweat Rubbing	4-5
Colour Matching	Shade Variation ±5%
Flammability	BS 3119, ASTM D 1230 : 1994, BS 5852
Tear Strength	Above 4000 gf
Breaking Strength	100KGF

COLLAB SEATING

Wipro Seating Solutions and the renowned designer Michael Foley present Levitate – a range of furniture designed to elevate the working comfort, express culture, and foster bonding.

This new furniture range bridges the gap by innovating the way furniture units can come together to create interesting formations optimising collaboration.



COLLABORATIVE SEATING





Fabric options



RUBY
Poland - 11



AMBER
Poland - 13



EMERALD
Asmara - 09



DENIM
Asmara - 22



CHARCOAL
Asmara - 24



RUBY
Poland - 11



AMBER
Poland - 13



EMERALD
Asmara - 09



DENIM
Asmara - 22



CHARCOAL
Asmara - 24

Material Options

Wood



MIDNIGHT
Pfeda Std.



DARK WALNUT
Pfeda Std.



NATURAL
Pfeda Std.

Metal



STEEL GREY
Metallic (Gloss)



DAVY GREY
F - 01 Tmm1 Gray
(Matt)



LIGHT GREY
Fm - 06 Ral 7004
(Matt)